

Wall Mount Adaptor Installation Guide (CA1-WMALRG-01)

Thank you for purchasing Pro-Face's Wall Mount Adaptor.

This adaptor can be attached to the following products:

PS-600G Series, PS-500P Series, GP-2500/2600 Series, FP-2500/2600 Series, GLC2600 Series, and GP2000H Series units (hereafter referred to as the "Unit.")

Using this adaptor, you can attach any of the aforementioned Units to a wall.



- This product can be attached directly only to GP2000H Series units. To attach this product to any of the other Units listed above, an optional "Rear Cover" is required. (CA1-RCVLRG-01). Once this cover is attached to the rear of the Unit, this product is then attached to that cover.
- This product is not CE marked or UL/c-UL(CSA) compliant. Therefore, be aware that when it is used in combination with a product that is CE marked and UL/c-UL(CSA) compliant, that product will lose its conformance with these standards.



SCIGATE AUTOMATION (S) PTE LTD
No.1 Bukit Batok Street 22 #01-01 Singapore 659592
Tel: (65) 6561 0488 Fax: (65) 6562 0588
Email: sales@scigate.com.sg Web: www.scigate.com.sg
Business Hours: Monday - Friday 8.30am - 6.15pm

All Company/Manufacturer names used in this manual are the registered trademarks of those companies.

© Copyright 2001 Digital Electronics Corporation All rights reserved.

Safety Precautions

This Installation Guide includes important safety-related information that must be followed to ensure the correct and safe use of the Wall Mount Adaptor. Prior to attaching this product, be sure to read both this guide and any related manuals to thoroughly understand the correct operation and functions of both the Wall Mount Adaptor and the Unit.

■ Safety Icons

Throughout this guide the following icons are used to indicate procedures requiring special attention to safety.

These icons have the following meaning:



WARNING

Indicates situations where severe bodily injury, death or major machine damage can occur.



CAUTION

Indicates situations where bodily injury or machine damage can occur.



WARNING

- Installing the Wall Mount Adaptor while power is supplied to the Unit may lead to an electric shock. Prior to installing the Wall Mount Adaptor, confirm that the Unit's power supply is disconnected.



CAUTION

- Prior to installing the Wall Mount Adaptor, carefully read Section 3. Installation.

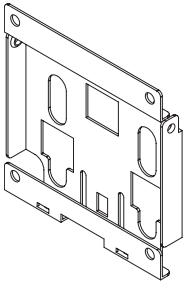
■ To Prevent Unit Failure

- Since the Unit is a precision device, do not subject it to shocks or excessive vibration.
- Be sure that no water, liquid or metal particles are adhering to the Unit, since they can cause unit failure or an electric shock.
- Do not operate or store the Unit in locations exposed to direct sunlight, high temperatures or dust.
- Do not operate or store the Unit in locations where vaporized chemicals are present in the air, or where chemicals may contact the unit.
- Do not attempt to open or modify the Unit.
- Do not use the Unit where corrosive gasses are present.

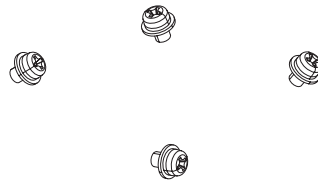
Package Contents

The Wall Mount Adaptor 's (Model No. CA1-WMALRG-01) package includes the following items. Prior to using the unit, be sure to check that all the items are included in the package.

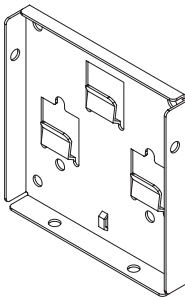
■ **Unit Rear Face Plate : 1**



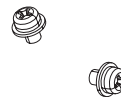
■ **Unit Rear Face Attachment Screws: 4**



■ **Wall Mount Adaptor Plate*1 : 1**



■ **Wall Mount Adaptor Attachment Screws: 2**



Pro-face has thoroughly inspected this package's contents and quality prior to shipping. If, however, any of the items listed here is broken or missing, or you have any comments regarding the product, immediately contact your local Pro-face distributor.

**1 The screws required to attach the Wall Mount Adaptor Plate to the wall are not included in this package. Be sure to consider the wall's materials and strength when deciding on the type of attachment screws to use.*

1 External Dimensions

When using the Wall Mount Adaptor with PS-600G Series, PS-500P Series, GP-2500/2600 Series, FP-2500/2600 Series, and GLC2600 Series units:

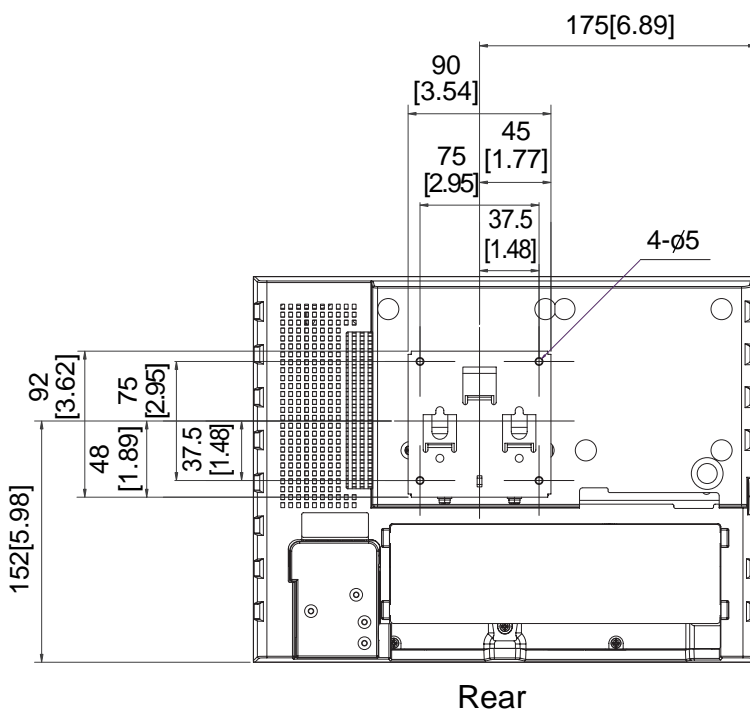
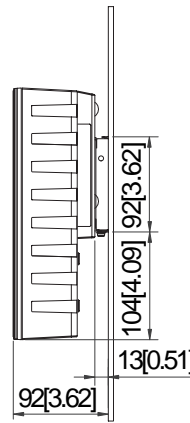
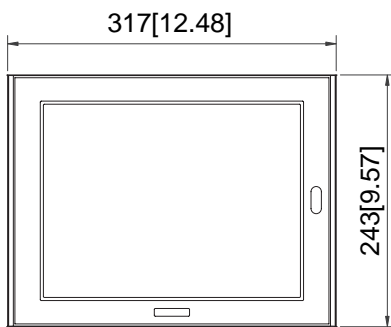
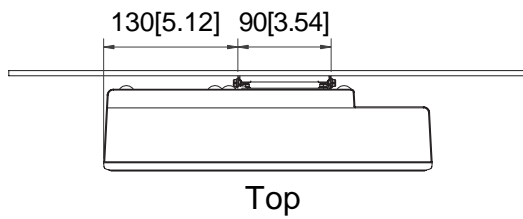
With these Units the optional Rear Cover is required. (CA1-RCVLRG-01) The following drawings show the dimensions with the Wall Mount Adaptor attached to this cover.

The following Unit is a PS-600G.

Unit: mm [in.]

Wall Mount Adaptor dimensions

W90[3.54] x H92[3.62] x D13[0.51]



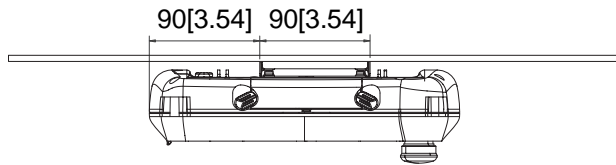
(Excluding projections)

When using the Wall Mount Adaptor with a GP2000H Series unit:

The following drawings show the dimensions with the Wall Mount Adaptor attached to the Unit.

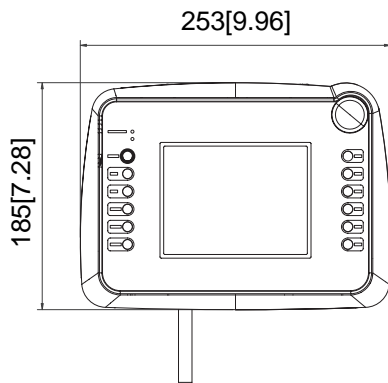
The following Unit is a GP2301H.

Unit: mm [in.]

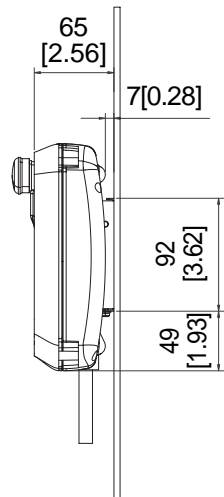


Top

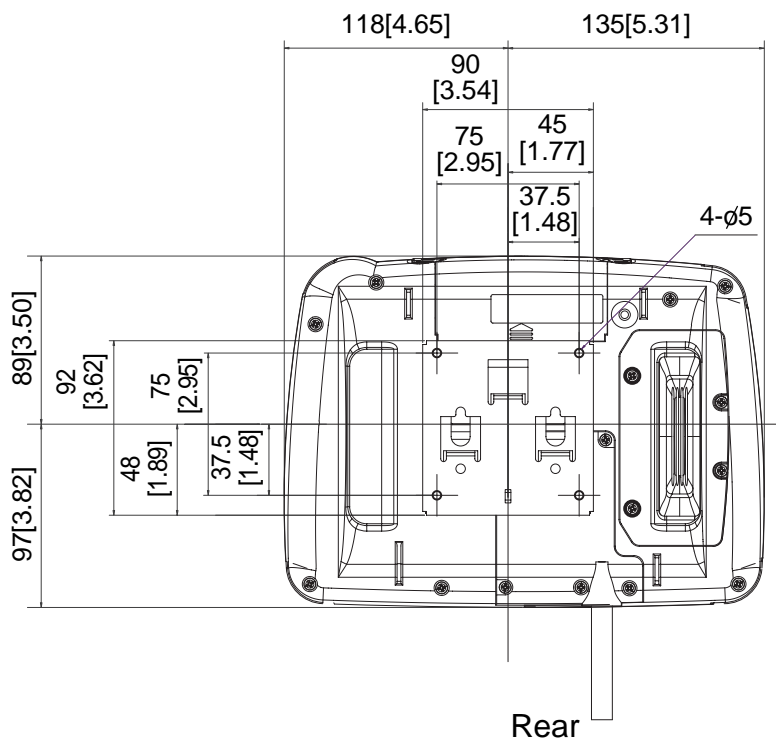
Wall Mount Adaptor dimensions
W90[3.54] x H92[3.62] x D13[0.51]



Front



Side



(Excluding projections)

2 Specifications

■ Structural

External Dimensions	W90[3.54] x H92[3.62] x D13[0.51] mm[in.]
Weight	Approx. 0.2[0.44] kg[lb.]

3 Installation



WARNING

- Installing the Wall Mount Adaptor while power is supplied to the Unit may lead to an electric shock. Prior to installing the Wall Mount Adaptor, confirm that the Unit's power supply is disconnected.
- Be sure to wear gloves, to prevent cuts or abrasions.



CAUTION

- Prior to installing the Wall Mount Adaptor, be sure to consider the weight of the Unit, the force required to place the Unit on the wall, and the wall material when deciding on the size/strength of the attachment screws. This is to prevent the Unit or the Adaptor from accidentally falling from the wall.
- Be sure when installing the Adaptor not to pinch your fingers.
- Be sure to check that you have installed all the attachment screws prior to using the Adaptor. This is to prevent the Unit from accidentally falling.

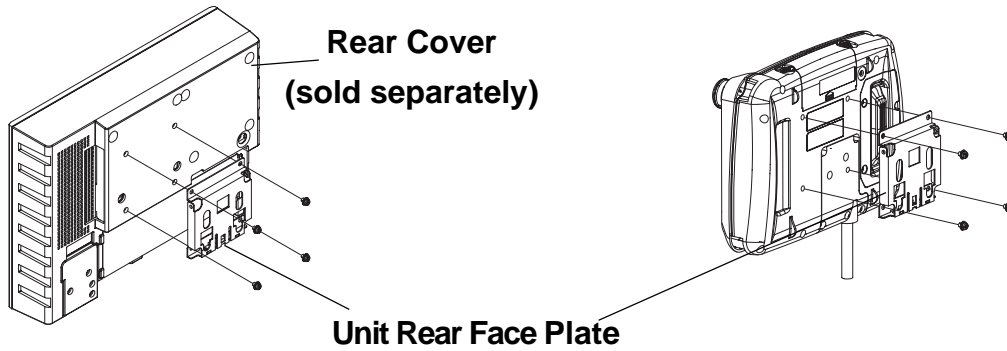


Be careful when installing the Wall Mount Adaptor to check on the environment where it will be used, especially the levels of vibration that will be present. Certain conditions can lead to an amplification of small simultaneous vibrations to produce a large overall vibration. This could result in the contents of the screen being difficult to read, or make the screen hard to operate, which could, in turn, cause an accident. To avoid this problem, either position the Adaptor in a location where vibration is minimal, or attach vibration absorbing material to the wall.

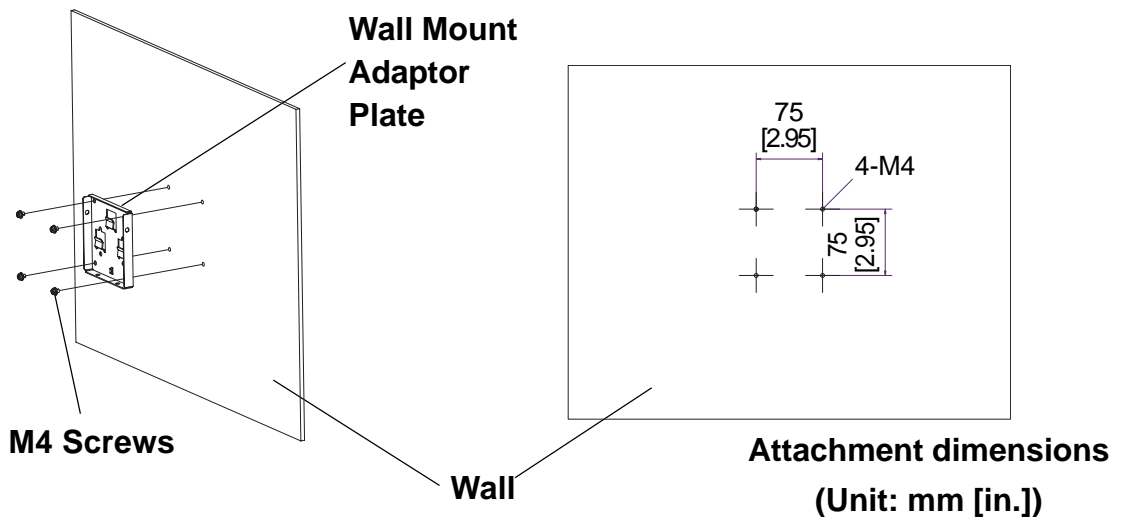
- 1) Attach the Unit Rear Face Plate to the Unit's Rear Cover.
(Fastening torque: 0.5 to 0.7 N•mm)

With PS-600G Series, PS-500P Series, GP-2500/2600 Series, FP-2500/2600 Series, and GLC2600 Series units:

With GP2000H Series units:

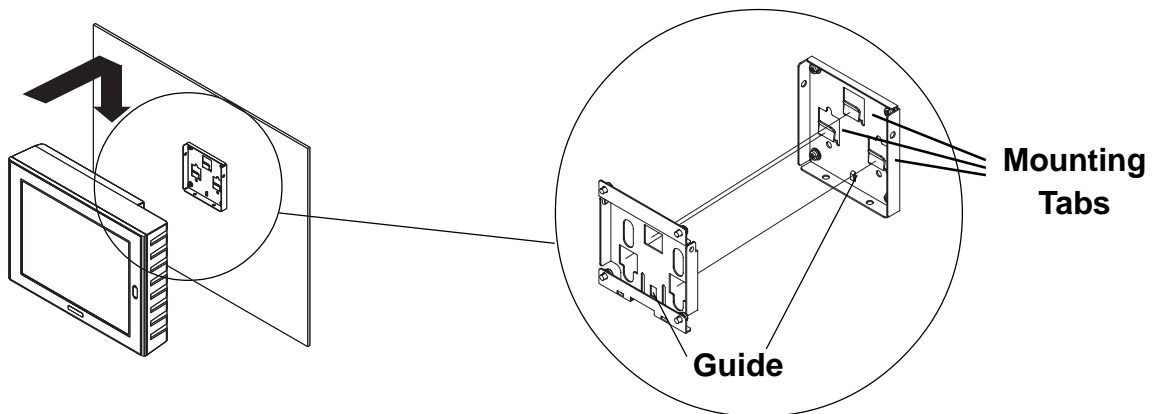


- 2) Attach the Wall Mount Adaptor Plate to the wall.
(this example uses M4 screws.)



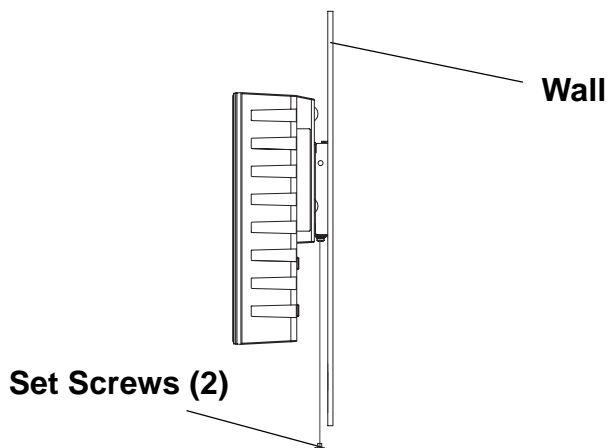
**1 The screws required to attach the Wall Mount Adaptor Plate to the wall are not included in this package. Be sure to consider the wall's materials and strength when deciding on the type of attachment screws to use.*

- 3) Hold the Unit firmly and place it over the Wall Mount Adaptor's Mounting Tabs. The middle guide will help to position the unit.



- 4) The two (2) Set Screws at the bottom of the Adaptor are used to hold the plates in place

Fastening torque: 0.5 to 0.7 N•m



With PS-600G Series, PS-500P Series, GP-2500/2600 Series, FP-2500/2600 Series, and GLC2600 Series units, be sure to use these set screws.

Note

Please be aware that Digital Electronics Corporation shall not be held liable by the user for any damages, losses, or third party claims arising from the uses of this product.

Digital Electronics Corporation

8-2-52 Nanko Higashi, Suminoe-ku, Osaka 559-0031, Japan

URL: <http://www.pro-face.com/>